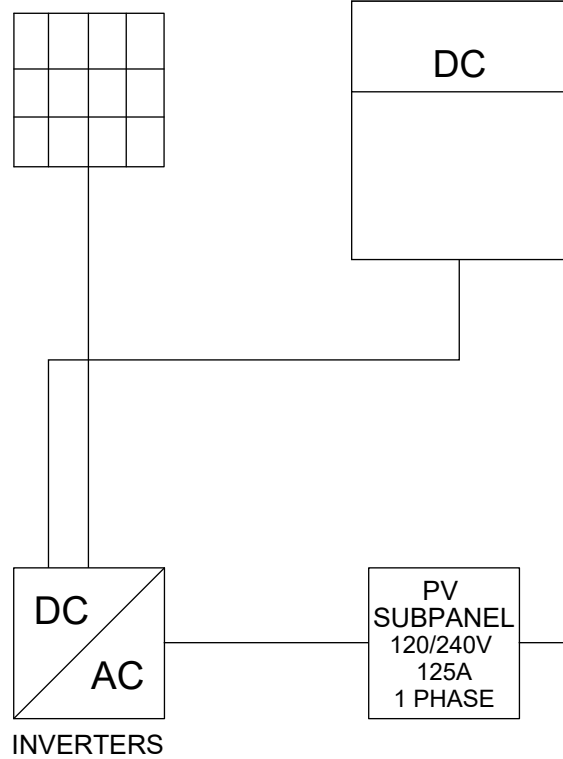


GRID ARRAY

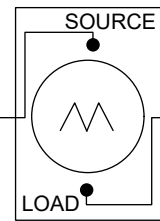
HOME EXTERIOR

INSIDE

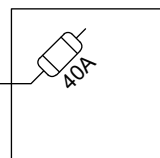
SOLAR ARRAY



ST CROIX ELECTRIC  
COOPERATIVE  
PRODUCTION METER  
120/240V, 200A  
WITH BYPASS  
1-PHASE, 3-WIRE

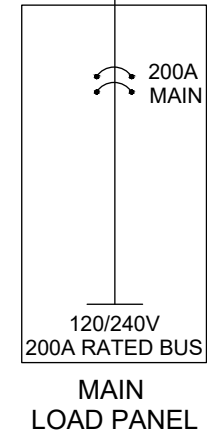
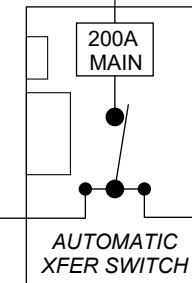
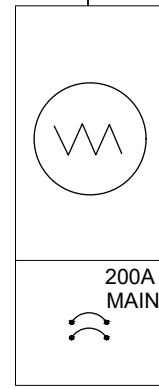


UTILITY PV  
AC DISCONNECT  
VISIBLE-OPEN TYPE,  
LOCKABLE,  
READILY ACCESSIBLE



TO UTILITY

ST CROIX ELECTRIC  
COOPERATIVE  
BI-DIRECTIONAL  
METER  
120/240V  
1-PHASE  
3-WIRE



Lorem ipsum

CONDUIT BETWEEN PRODUCTION METER,  
FUSED DISCONNECT AND BI-DIRECTIONAL  
METER MUST BE VISIBLE AND NO FURTHER  
APART THAN 2 FEET MAXIMUM.

1. DESIGN MEETS NEC CODE  
AND SHALL BE INSTALLED IN  
ACCORDANCE WITH NEC 690  
AND POSTED WITH APPLICABLE  
WARNINGS, SIGNAGE, AND  
PLAQUES PER NEC 705-10,  
690-17, & 690-64 (b) (5)

2. SOLAR MODULES, INVERTERS,  
AND CORRESPONDING  
ELECTRICAL EQUIPMENT ARE  
LISTED.

3. INVERTERS ARE UL 1741  
LISTED

**REVISIONS**

LAST: 5/01/24 PM

**ELECTRICAL  
LINE DIAGRAM**

\*DISTANCES NOT TO SCALE